

**Control Freak SLAMMO v2.5
DALI/DMX512 3 channel constant voltage LED dimmer
OEM component pcb only
User Manual for DMX512**

All specifications are subject to change without notice.
For the most recent update of this document please contact CreativeLighting.literature@creativelighting.com.au
©2009 Creative Lighting 4 Pine Street North Ipswich QLD Australia
All rights reserved.

Description

The SLAMMO V2.5 is an OEM component measuring 206mm (l) x 45mm (w) x 35mm (h). Complete case enclosed SLAMMOs are also available. The v2.5 pcb has the following characteristics

- DALI input or DMX512 input via labeled terminals
- Bitswitch-selectable as DALI or DMX with bitswitch-selectable DMX address. As the SLAMMO is 3 channels, a start address of 1 for example will mean that DMX channels 1, 2 and 3 are assigned.
- 12-24v DC in and out
- Suits driving of constant voltage LEDS common anode to max 150va per channel

Bitswitch selection table

SLAMMO Bitswitch selection

Bitswitch	ON	OFF
1	DMX Start Address = + 1	No value
2	DMX Start Address = + 2	No value
3	DMX Start Address = + 4	No value
4	DMX Start Address = + 8	No value
5	DMX Start Address = + 16	No value
6	DMX Start Address = + 32	No value
7	DMX Start Address = + 64	No value
8	DMX Start Address = + 128	No value
9	DMX Start Address = + 256	No value
10	DALI	DMX512

Bitswitch Settings									
DALI : Bitswitch 10 on, 1-9 off									
DMX512: Bitswitch 10 off +									
1	2	3	4	5	6	7	8	9	
1	2	4	8	16	32	64	128	256	

Example:										
To set to DMX channel 149 (& therefore also 150 & 151):										
1	2	3	4	5	6	7	8	9	10	
ON	OFF	ON	OFF	ON	OFF	OFF	ON	OFF	OFF	
1	0	4	0	16	0	0	128	0	DMX	

Default Factory Settings:
Red A00 & G00, Green A01 & G01, Blue A02 & G02
DMX512 (Bit 1 on, 9-10 off) = Red Ch1, Green Ch2, Blue Ch3

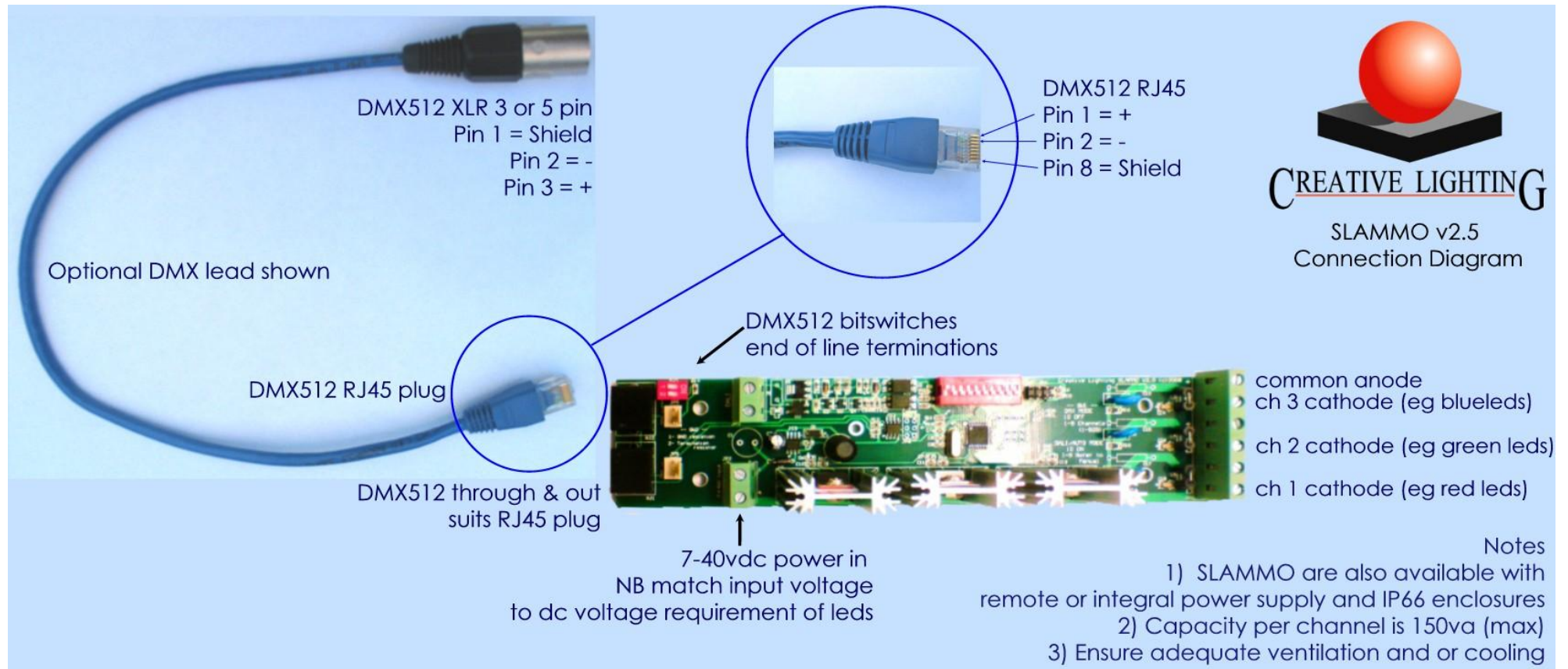
All specifications are subject to change without notice.

For the most recent update of this document please contact Creative Lighting literature@creativelighting.com.au

©2009 Creative Lighting 4 Pine Street North Ipswich QLD Australia

All rights reserved.

Diagrams – DMX512



All specifications are subject to change without notice.

For the most recent update of this document please contact Creative Lighting literature@creativelighting.com.au

©2009 Creative Lighting 4 Pine Street North Ipswich QLD Australia

All rights reserved.

Specifications

Description	Details
Dimming type	Pulse width modulation suits common anode bias-resisted leds
Physical	
Size	200mm (d) x 305mm (w) x 105mm (h)
Weight (kilograms, approximate)	0.11
Power	
DC Input	7-40VDC – match to requirement of LEDs
DC Output	7-40VDC dependant upon input voltage
Protection	Immune from accidental dc input reversal to pcb
Data Protocol	DALI, DMX512
Site considerations – important!	SLAMMOs without inbuilt fans rely on convection cooling – ensure that adequate air movement and or cooling is provided to maintain internal SLAMMO temperature at or below 55 degrees C

Other Products

Creative Lighting also manufactures a range of DALI & DMX512 products under our Control Freak trademark:

DIDIO	DALI & DMX512 controllers, power supplies, scene controllers, sequencers, Serial Communications Interfaces, and translators
ADDICT	portable tools for installation, configuration, testing, debugging and back-ups
LIDA	DALI relay and contactor drivers, 1 and 2 channel DALI, for mains rated coils and HID with feedback
LIDA-F	DALI fan controllers
SHOWPRO	10-zone controllers for automated displays and lighting
TOUCH-TELL	interactive sensors

All specifications are subject to change without notice.

For the most recent update of this document please contact Creative Lighting literature@creativelighting.com.au

©2009 Creative Lighting 4 Pine Street North Ipswich QLD Australia

All rights reserved.

REGISTRATION

Please complete this form and fax to 07 32828700 to register for manufacturer's 12-month warranty.

Name of project _____

Location of project _____

Brief description of project _____

Purchaser Name _____

Purchaser Company _____

Contact Details – Email _____

Contact Details – Telephone _____

Date of Purchase _____

Purchased from _____



All specifications are subject to change without notice.
For the most recent update of this document please contact Creative Lighting literature@creativelighting.com.au
©2009 Creative Lighting 4 Pine Street North Ipswich QLD Australia
All rights reserved.